



Square Shouldered Wide Neck Bottle with Tamper Evident Neck



- ◆ Leak proof bottle with a tamper evident neck accepts a tamper evident cap between 45mm and 88mm
- ◆ Wide neck makes the bottle particularly suited to powders, granules, tablets and solids
- ◆ Manufactured from rigid chemically resistant HDPE
- ◆ All materials are FDA approved
- ◆ Available in sizes ranging from 250ml to 2000ml

Square Shouldered Wide Neck Bottle with Tamper Evident Neck

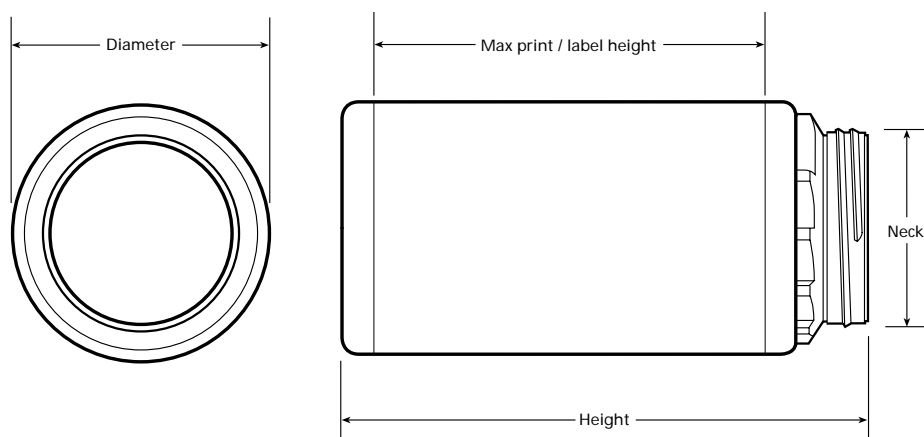
These bottles have a wide neck to aid easy filling and dispensing, so are perfectly suited to storing powders and tablets as well as liquids. This feature coupled together with the tamper evident closure makes this bottle very versatile and ensures that your product remains completely intact.

We understand that all of our customers have different needs, which is why we offer a large degree of flexibility with our products. The bottles are supplied as standard in natural HDPE but can also be manufactured out of a choice of pigmented polymers and can be labelled or printed if required*.

All bottles are manufactured from FDA approved material.



Technical Data & Ordering Information



** All bottle customisation subject to minimum order quantity and your design being agreed before production commences.*

Bottle Code HDPE	PWT0250	PWT0500	PWT1000	PWT2000
Nominal Vol. (ml)	250	500	1000	2000
Brimful Vol. (ml)	297±3	588±4	1058±5	2281±5
Neck Finish (mm)	400TE	600TE	600TE	850TE
Print Width (mm)	74	98	121	169
Max. Print / Label Height (mm)	85	105	135	175
Bottle Diameter (mm)	60	75	90	120
Bottle Height (mm)	134	155	195	230
Nominal Weight (g)	33±1	38±2	73±2	130±5
Carton Quantity	220	120	56	28

All physical dimensions are ± 3% unless otherwise stated. To find out which cap options are available with this bottle, compare the neck finish of your chosen bottle with the corresponding size on the Caps and Closures sheet. If you have any questions regarding this new range of bottles or other

products in our extensive packaging range please contact us at:
Azlon Plastic Packaging, Bibby Sterilin Ltd, Tilling Drive,
 Stone, Staffordshire. ST15 0SA Tel: 01785 812121
 Fax: 01758 810402 e-mail: azlonpack@bibby-sterilin.com
 www.bibby-sterilin.com